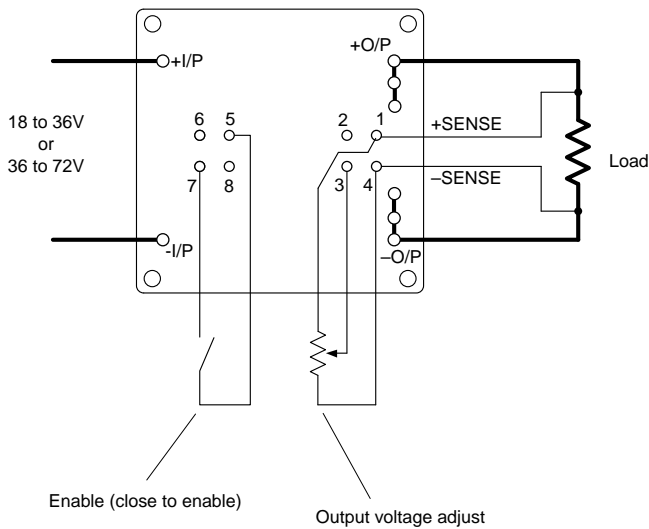


ORDERING INFORMATION

Input Voltage	Output Voltage	Output Current	Model Number	Input Voltage	Output Voltage	Output Current	Model Number
48V	5V	15A	AK60A-048L-050F15	24V	5V	15A	AK60A-024L-050F15
48V	12V	6.3A	AK60A-048L-120F06	24V	12V	6.3A	AK60A-024L-120F06
48V	15V	5A	AK60A-048L-150F05	24V	15V	5A	AK60A-024L-150F05
				24V	24V	3A	AK60A-024L-240F03

Please contact Astec for information on other output voltages, power ranges and configurations.

CONNECTIONS



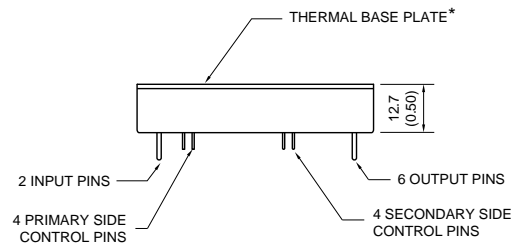
PIN ASSIGNMENT

Input	Output	Control Pins	
31. +ve	} +ve	1. +SENSE	
32. -ve			2. RSV
			3. V ADJ
	} -ve	4. -SENSE	
			5. S COM
			6. PRI-AUX
			7. ENABLE
		8. CLK-IN	

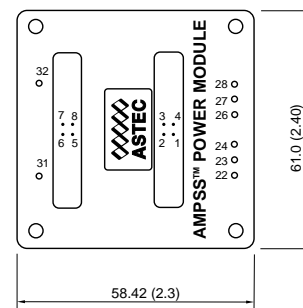
Secondary side controls
 Primary side controls

AK60A-75

DIMENSIONS



**Must be connected to protective earth*



Viewed from pins side. Dimensions in mm (inches)